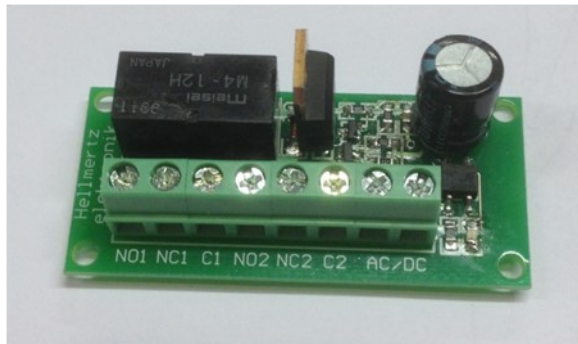
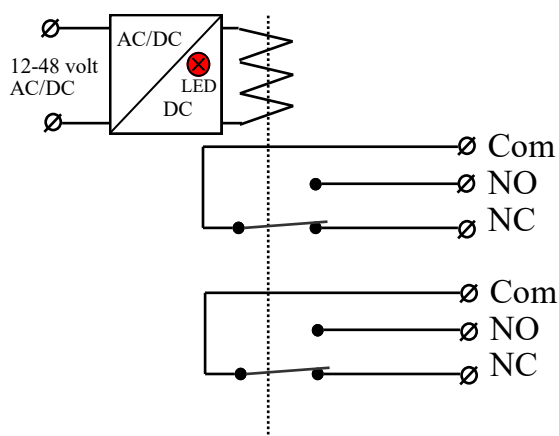


Universal AC/DC Relay 8432



**True universal relay
12-48 AC/DC
with an infinite number
of applications!**

The 8432 universal interface relay is a high quality relay with DPDT (Form "C") dry contacts. It features low current draw, AC or DC activation, and is ideal for general purpose system interfacing. The 8432 is true problem solver for every field technician.



Features

- Low Current Draw
- AC or DC Activation
- Elevator Style Screw Terminals
- Voltage Input LED
- Form "C" Dry Contacts
- Great For General Purpose Switching
- Small, Compact Size
- Double Sided Tape Provided For Mounting

Specifications

Outputs:	2xDPDT
Max. power:	60 W or 125 VA
Max. current:	2 A
Max. voltage:	220 VDC/250AC
UL Rating:	1 A at 24 VDC 0.5 A at 120 VAC
Control voltage:	12 – 48 V AC/DC -10/+20%
Current draw:	11mA (12-48V)
Dimensions:	27x27x58mm (HxWxL)

Part number: 8432

 **HOLARSAB**
Säkerhet sedan 1976

Sverige:
www.holars.se
info@holars.se
+46(0)868409910

 **HOLARSAS**
Sikkerhet siden 1976

Norge:
www.holars.no
info@holars.no
+47 63961700